

DESCRIPTION:

AMC MODEL SWN-218-2DT OPT. 506F IS A SINGLE POLE TWO THROW, ABSORPTIVE/NON-REFLECTIVE SWITCH MODULE WITH VERY LOW INSERTION LOSS, HIGH ISOLATION AND WITH INTEGRAL TTL DRIVER, OPTOMIZED FOR OPERATION IN THE 5.4 TO 5.7 GHz FREQUENCY RANGE.

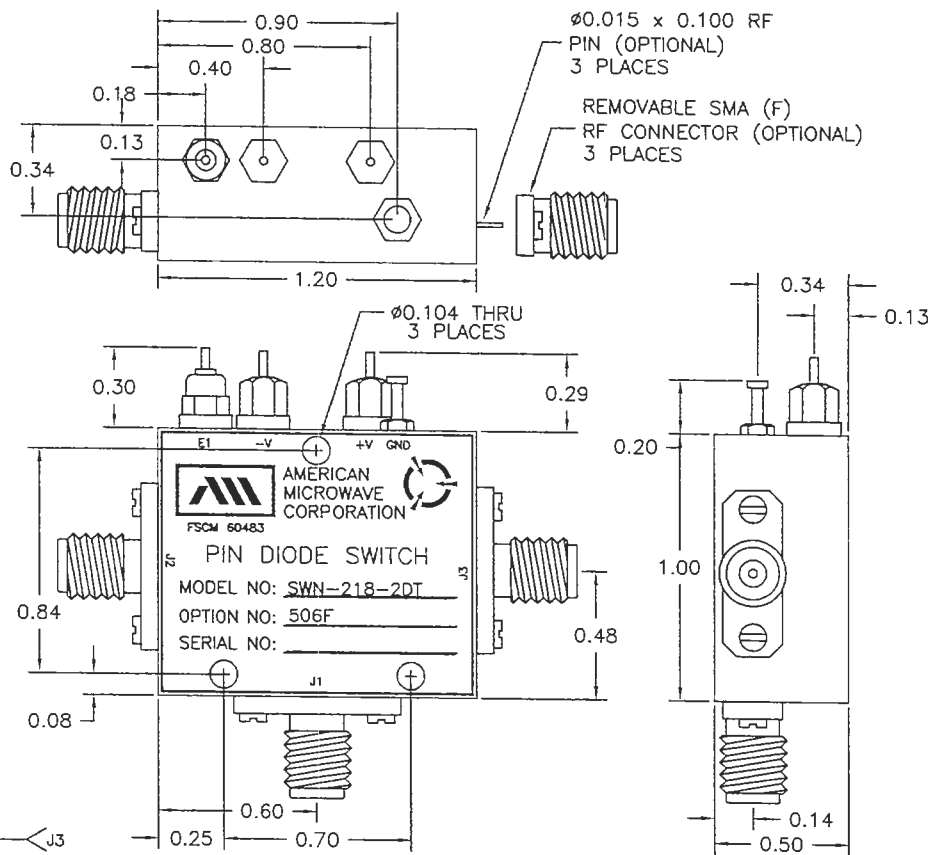
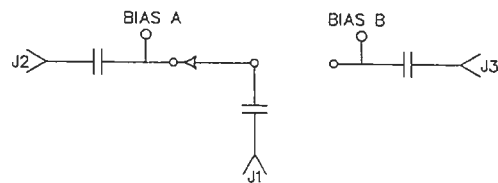
REVISIONS				
ZONE	REV.	DESCRIPTION	DATE	APPROVED
	--	ORIGINAL RELEASE JOB# 404065X-2	4/26/04	
	A	SEE ECN# 04-055	4/28/04	

SPECIFICATIONS:

- FREQUENCY: 5.4-5.7 GHz
- VSWR: 1.5:1 MAX
- INSERTION LOSS: 2 dB MAX
- ISOLATION: 60 dB MIN
- SPEED: RISE TIME: 50nS MAX
FALL TIME: 50nS MAX
DELAY ON: 100nS MAX
DELAY OFF: 100nS MAX
- CONTROL: TTL LOGIC "0"=J1-J2, "1"=J1-J3
- POWER SUPPLY: +5V @ 100 mA MAX
-5V @ 100 mA MAX

OPTIONS:

- 506F 5.4 TO 5.7 GHz
SINGLE CONTROL "TOGGLE"



ENVIRONMENTAL RATINGS

- TEMPERATURE: -55°C TO +85°C (OPERATING)
-65°C TO +125°C (STORAGE)
- HUMIDITY: MIL-STD-202F, METHOD 103B COND. B
- SHOCK: MIL-STD-202F, METHOD 213B COND. B
- VIBRATION: MIL-STD-202F, METHOD 204D COND. B
- ALTITUDE: MIL-STD-202F, METHOD 105C COND. B
- TEMPERATURE CYCLE: MIL-STD-202F, METHOD 107D COND. A

NOTE: SPECIFICATIONS WILL VARY OVER OPERATING TEMPERATURE
NOTE: THE ABOVE SPECIFICATIONS ARE SUBJECT TO CHANGE OR REVISION

ALL DIMENSIONS ARE IN INCHES
TOLERANCES:
X.XX ±0.020
X.XXX ±0.010

AMERICAN MICROWAVE CORPORATION

7311-G GROVE ROAD
FREDERICK, MARYLAND 21704 USA
TEL: 301-662-4700 FAX: 301-662-4938
WEBSITE: www.americanmicrowavecorp.com
E-MAIL: sales@americanmicrowavecorp.com
ISO 9001:2000 CERTIFIED



APPROVALS		DATE	TITLE		
DRAWN	<i>EFE</i>	4/26/04	PRODUCT FEATURE SWN-218-2DT OPTION: 506F 5.4 TO 5.7 GHz, SINGLE POLE TWO THROW SWITCH		
REDRAWN	<i>GDJ</i>	9/2/04	SIZE	FSCM NO.	DWG NO.
ISSUED	<i>LA</i>	9/10/04	A	60483	100-6978
			SCALE	N:S	SHEET 1 OF 3